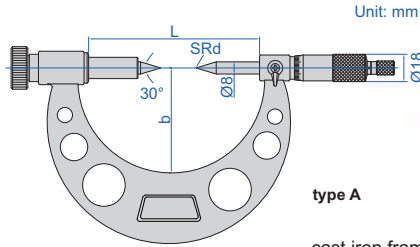


GEAR ROOT DIAMETER MICROMETERS



type A

cast iron frame



3297-100



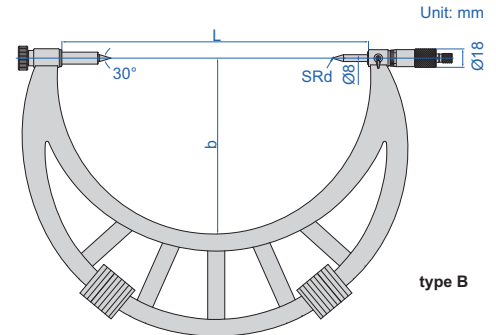
steel tube frame

3297-300

- Measure diameter of gear root circle
- Graduation 0.01mm
- Ratchet stop
- Meet DIN863-3
- Carbide measuring faces
- Supplied with setting standards

(mm)

Code	Range	Type	Accuracy	L	b	SRd
3297-100	5-100mm	A	5 μ m	137	72	0.4
3297-200	100-200mm	A	7 μ m	237	129	0.5
3297-300	200-300mm	B	9 μ m	414	225	0.7
3297-400	300-400mm	B	11 μ m	514	275	0.7
3297-500	400-500mm	B	13 μ m	614	325	0.7
3297-600	500-600mm	B	15 μ m	714	375	0.7
3297-700	600-700mm	B	16 μ m	814	425	0.7
3297-800	700-800mm	B	18 μ m	914	475	0.7
3297-900	800-900mm	B	20 μ m	1014	525	0.7



type B